

Item No	Type	Ref	Part No	Description	Qty	Unit
1			HY00000213	HEX SOCKET HEAD BOLT M6X90	4	PC.
2			HY00000214	SPRING WASHER 6	4	PC.
3			HY00000215	FLAT WASHER 6	4	PC.
4			HY00000216	CYLINDER HEAD L	1	PC.
5			HY00000217	HEAD GASKET L	1	PC.
6			HY00000218	VALVE PLATE L COMPLETE	1	PC.
7			HY00000219	OUTLET VALVE	1	PC.
8			HY00000220	INLET VALVE	1	PC.
9			HY00000221	CYLINDER GASKET L	1	PC.
10			HY00000222	CYLINDER L (60HZ)	1	PC.
11			HY00000224	ELBOW 8-R1/4	1	PC.
12			HY00000225	RING 8	1	PC.
13			HY00000226	RING NUT 8	1	PC.
14			HY00000227	ELBOW 10-R3/8	1	PC.
15			HY00000228	RING 10	1	PC.
16			HY00000229	RING NUT 10	1	PC.
17			HY00000230	CONNECTING ROD L ASSEMBLY	1	PC.
18			HY00000231	SHEET RING L	1	PC.
19			HY00000232	LEAF SPRING L	1	PC.
20			HY00000233	WEARING L	1	PC.
21			HY00000234	HEX NUT M18	1	PC.
22			HY00000235	CONED DISC SPRING 18	1	PC.
23			HY00000236	BALANCER (60HZ)	1	PC.
24			HY00000238	SPACER	1	PC.
25			HY00000239	CRANK SPACER L	1	PC.
26			HY00000240	CRANK SPACER H	1	PC.
27			HY00000241	PAN HEAD SCREW M5X16	3	PC.
28			HY00000242	FLAT WASHER 5	3	PC.
29			HY00000243	TAPPING SCREW 4X18	3	PC.
30			HY00000244	FILTER COVER	1	PC.
31			HY00000245	FILTER	1	PC.
32			HY00000246	CRANK CASE COVER	1	PC.
33			HY00000247	O-RING 147	1	PC.
34			HY00000248	CONNECTING ROD H ASSEMBLY	1	PC.
35			HY00000249	SHEET RING H	1	PC.
36			HY00000250	LEAF SPRING H	1	PC.
37			HY00000251	WEARING H	1	PC.
38			HY00000252	PIPE 8	1	PC.
39			HY00000253	HEX SOCKET HEAD BOLT M8X70	4	PC.
40			HY00000254	FLAT WASHER 8	4	PC.
41			HY00000255	SPRING WASHER 8	4	PC.
42			HY00000256	CYLINDER HEAD H	1	PC.
43			HY00000257	HEAD GASKET H	1	PC.
44			HY00000258	VALVE PLATE H COMPLETE	1	PC.
45			HY00000259	CYLINDER GASKET H	1	PC.
46			HY00000260	CYLINDER H (60HZ)	1	PC.
47			HY00000262	STAFFING L	1	PC.
48			HY00000263	STAFFING H	1	PC.
49			HY00000264	HEX NUT M8	1	PC.
50			HY00000265	CAPACITOR RUN ASSEMBLY	1	PC.
51			HY00000267	HEX SOCKET HEAD BOLT M6X40	4	PC.
52			HY00000268	FLAT WASHER 6	4	PC.
53			HY00000269	SLEEVE 6	4	PC.

Item No	Type	Ref	Part No	Description	Qty	Unit
54			HY00000270	CUSHION	4	PC.
55			HY00000271	CRANK CASE	1	PC.
56			HY00000272	BALL BEARING 6305LLB	1	PC.
57			HY00000273	BEARING RETAINER	1	PC.
58			HY00000274	COUNTERSUNK HEAD SCREW M5X12	3	PC.
59			HY00000275	STATOR	1	PC.
60			HY00000277	KEY 6	1	PC.
61			HY00000278	ROTOR	1	PC.
62			HY00000279	BALL BEARING 6303LLB	1	PC.
63			HY00000280	O-RING 49	1	PC.
64			HY00000281	REAR BRACKET	1	PC.
65			HY00000242	FLAT WASHER 5	4	PC.
66			HY00000282	SPRING WASHER 5	4	PC.
67			HY00000283	HEX BOLT M5X146	4	PC.
68			HY00000284	FAN 195	1	PC.
69			HY00000285	RETAINING RING 14	1	PC.
70			HY00000286	MOTOR COVER B	1	PC.
71			HY00000287	BUSHING	1	PC.
72			HY00000288	THERMAL CIRCUIT BREAKER	1	PC.
73			HY00000290	MOTOR COVER C	1	PC.
74			HY00000291	POWER SUPPLY CORD	1	PC.
75			HY00000294	CORD	1	PC.
76			HY00000296	CORD CRAMP	2	PC.
77			HY00000298	SWITCH ASSEMBLY	1	PC.
78			HY00000300	RING NUT 6	1	PC.
79			HY00000301	PIPE 6	1	PC.
80			HY00000302	BARREL NIPPLE R1/4-25	1	PC.
81			HY00000303	CHECK VALVE	1	PC.
82			HY00000304	RING 6	1	PC.
83			HY00000305	RING NUT 6	1	PC.
84			HY00000228	RING 10	1	PC.
85			HY00000229	RING NUT 10	1	PC.
86			HY00000306	PIPE 10	1	PC.
89			HY00000309	TANK COMPLETE	1	PC.
90			HY00000311	INDICATION LABEL	1	PC.
91			HY00000312	DRAIN SOCKET	1	PC.
92			HY00000313	PAN HEAD SCREW M5X10	7	PC.
93			HY00000282	SPRING WASHER 5	7	PC.
94			HY00000242	FLAT WASHER 5	7	PC.
95			HY00000314	SIDE PANEL COVER	1	PC.
96			HY00000315	SIDE PANEL	1	PC.
97			HY00000316	FRAME COMPLETE	1	PC.
98			HY00000317	FOOT	4	PC.
99			HY00000318	SLEEVE 6	4	PC.
100			HY00000319	FLAT WASHER 6	4	PC.
101			HY00000320	HEX SOCKET HEAD BOLT M6X12	4	PC.
102			HY00000215	FLAT WASHER 6	4	PC.
103			HY00000321	HEX NUT M6	8	PC.
104			HY00000214	SPRING WASHER 6	4	PC.
105			HY00000322	HEX NUT M5	2	PC.
106			HY00000323	PIPE 8	1	PC.
107			HY00000324	FRONT PANEL ASSEMBLY(NPT1/4)	1	PC.
108			HY00000241	PAN HEAD SCREW M5X16	3	PC.

Item No	Type	Ref	Part No	Description	Qty	Unit
109			HY00000282	SPRING WASHER 5	3	PC.
110			HY00000242	FLAT WASHER 5	3	PC.
111			HY00000327	FRONT PANEL	1	PC.
112			HY00000328	GAUGE COVER	3	PC.
113			HY00000329	INDICATION LABEL	1	PC.
114			HY00000330	SAFETY VALVE COMPLETE 10	1	PC.
115			HY00000332	MANIFOLD L (NPT1/4)	1	PC.
116			HY00000336	BARREL NIPPLE R1/4-30	1	PC.
117			HY00000337	QUICK COUPLER L NPT1/4	2	PC.
118			HY00000340	TAPER SCREW PLUG R 1/4	1	PC.
119			HY00000341	REGULATOR L	1	PC.
120			HY00000342	INDICATION LABEL	1	PC.
121			HY00000343	PRESSURE GAUGE JOINT	1	PC.
122			HY00000344	PRESSURE GAUGE L	1	PC.
123			HY00000345	MANIFOLD A (NPT1/4)	1	PC.
124			HY00000347	PRESSURE GAUGE H	1	PC.
125			HY00000348	REGULATOR H	1	PC.
126			HY00000349	INDICATION LABEL	1	PC.
127			HY00000350	MANIFOLD H	1	PC.
128			HY00000351	QUICK COUPLER H R1/4 LEFT SCREW	2	PC.
129			HY00000352	RUBBER SLEEVE	2	PC.
130			HY00000353	SAFETY VALVE COMPLETE 30	1	PC.
131			HY00000355	INDICATION LABEL	1	PC.
132			HY00000356	MOTOR COVER A COMPLETE	1	PC.
133			HY00000358	CAUTION LABEL	1	PC.
134			HY00000243	TAPPING SCREW 4X18	4	PC.
135			HY00000361	CHECK VALVE	1	PC.
136			HY00000362	UNLOADING VALVE	1	PC.
137			HY00000363	O-RING 17	1	PC.
138			HY00000364	CAUTION LABEL	1	PC.
139			HY00000282	SPRING WASHER 5	3	PC.
140			HY00000238	SPACER	1	PC.
141			HY00000214	SPRING WASHER 6	4	PC.
142			HY00000224	ELBOW 8-R1/4	1	PC.
143			HY00000225	RING 8	1	PC.
144			HY00000226	RING NUT 8	1	PC.
145			HY00000238	SPACER	1	PC.
146			HY00000243	TAPPING SCREW 4X18	5	PC.
147			HY00000267	HEX SOCKET HEAD BOLT M6X40	4	PC.
148			HY00000224	ELBOW 8-R1/4	1	PC.
149			HY00000225	RING 8	1	PC.
150			HY00000226	RING NUT 8	1	PC.
151			HY00000225	RING 8	1	PC.
152			HY00000226	RING NUT 8	1	PC.
153			HY00000340	TAPER SCREW PLUG R 1/4	1	PC.
154			HY00000336	BARREL NIPPLE R1/4-30	1	PC.
155			HY00000336	BARREL NIPPLE R1/4-30	1	PC.
156			HY00000340	TAPER SCREW PLUG R 1/4	1	PC.
157			HY00000336	BARREL NIPPLE R1/4-30	1	PC.
158			HY00000340	TAPER SCREW PLUG R 1/4	1	PC.
159			HY00000336	BARREL NIPPLE R1/4-30	1	PC.
160			HY00000343	PRESSURE GAUGE JOINT	1	PC.
161			HY00000347	PRESSURE GAUGE H	1	PC.

Item No	Type	Ref	Part No	Description	Qty	Unit
162			HY00000336	BARREL NIPPLE R1/4-30	1	PC.
163			HY00000340	TAPER SCREW PLUG R 1/4	1	PC.
164			HY00000313	PAN HEAD SCREW M5X10	4	PC.
165			HY00000282	SPRING WASHER 5	4	PC.
166			HY00000242	FLAT WASHER 5	4	PC.
167			HY00000224	ELBOW 8-R1/4	1	PC.
168			HY00000219	OUTLET VALVE	1	PC.
169			HY00000220	INLET VALVE	1	PC.
170			HY00000359	CAUTION LABEL	1	PC.
171			HY00000365	CARTON	1	PC.

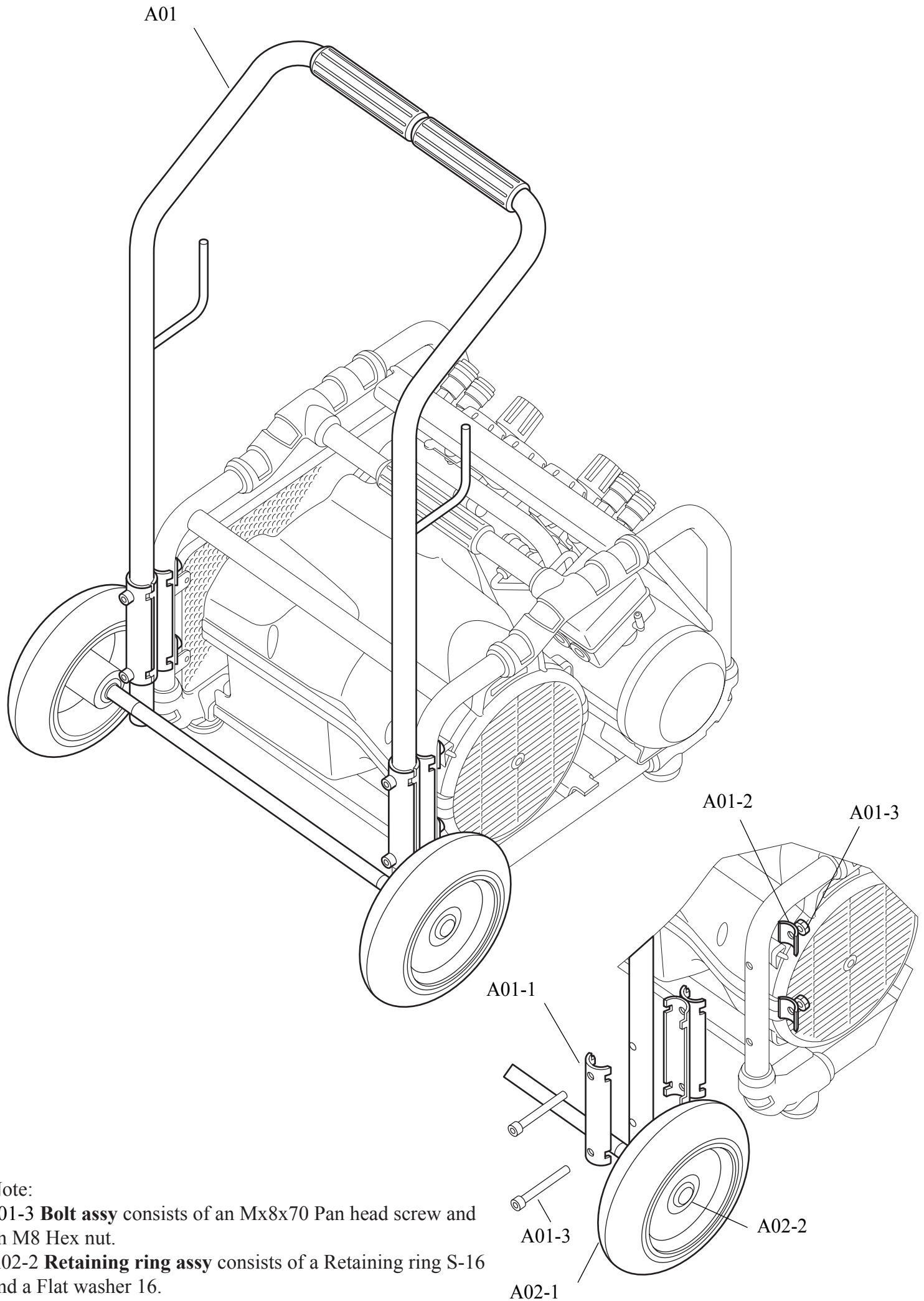
ACCESSORIES

A01			HY00000212	WHEEL KIT (see next page for diagram)	1	PC.
	INC.			Item No. A02	1	PC.
A01-1			HY00000370	BRACKET A	6	PC.
A01-2			HY00000371	BRACKET B	4	PC.
A01-3			HY00000372	BOLT ASSEMBLY	4	PC.
A02			HY00000366	CASTER ASSEMBLY	1	PC.
A02-1	INC.		HY00000369	CASTER	2	PC.
A02-2	INC.		HY00000373	RETAINING RING ASSEMBLY	4	PC.
A03			B-80020	HIGH PRESSURE HOSE 30M	1	PC.
			B-80014	HIGH PRESSURE HOSE 15M	1	PC.
			B-80036	HIGH PRESSURE HOSE 7.5M	1	PC.
A04			HY00000337	QUICK COUPLER L NPT1/4	2	PC.
A05			HY00000351	QUICK COUPLER H R1/4 LEFT SCREW	2	PC.

NOTE !

REPAIR OF HIGH PRESSURE HOSE AND JOINT,

**For Safety reason, please contact MAKITA FACTORY SERVICE CENTRE or
MAKITA AUTHORIZED SERVICE CENTRE and have the repair at these service centres.**



Note:
A01-3 Bolt assy consists of an Mx8x70 Pan head screw and an M8 Hex nut.
A02-2 Retaining ring assy consists of a Retaining ring S-16 and a Flat washer 16.